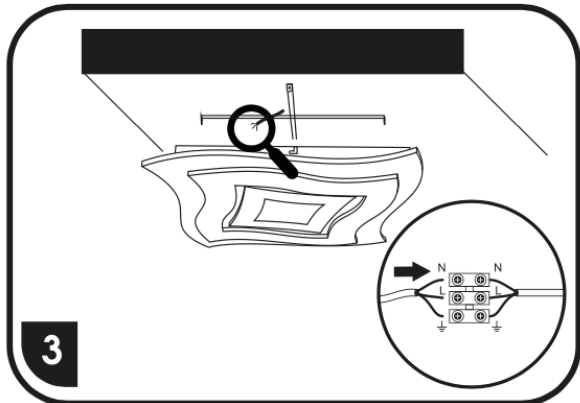
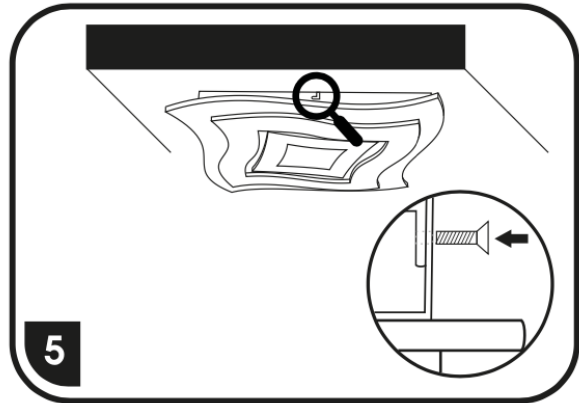
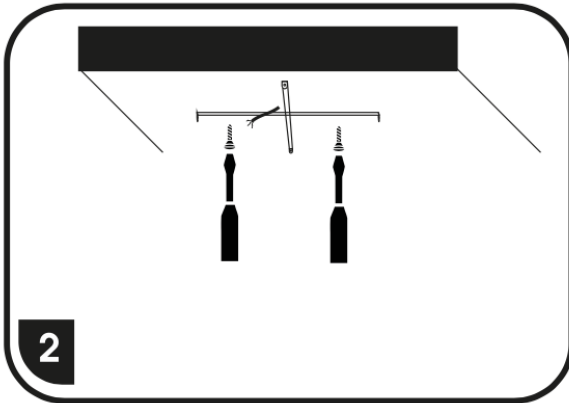
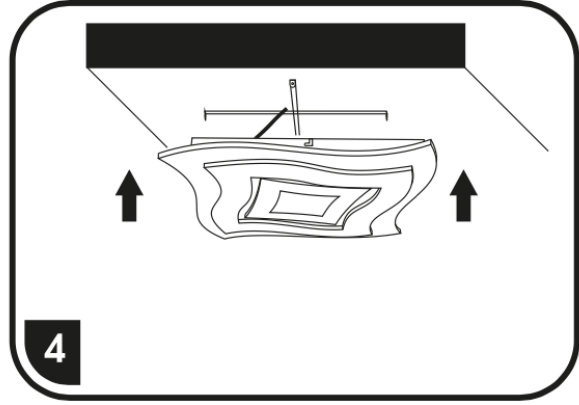
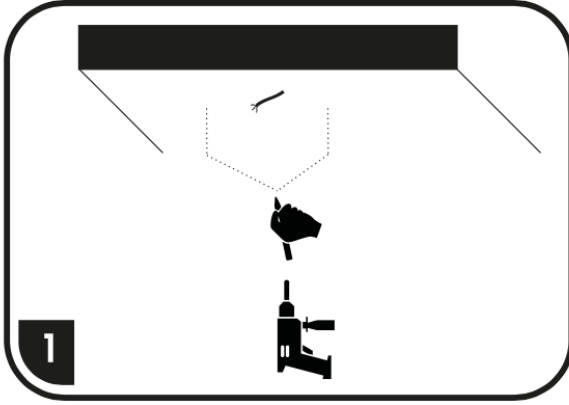
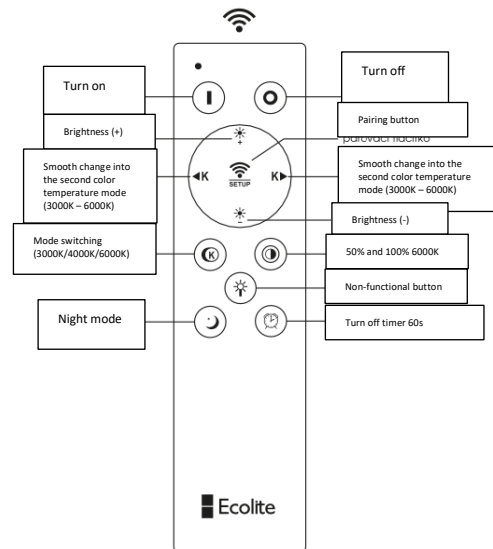


BRLP04-3D/LED

Due to the technical reasons, it is not recommended to disassemble/replace the light source of the light.




THE LIGHTS ARE ALREADY PAIRED WITH THE REMOTE CONTROL BY THE MANUFACTURER




If the remote control is not communicating with the light, pair them.

Pairing of the light and remote control

-turn on the light by the wall switch and within 3 seconds, the pairing button  will be shortly pressed (the light with flash one time and that means that the pairing is done).

Unpairing the light and remote control

-firstly, press the turn on button  and hold it, the light will turn on and within 3 seconds the light will flash one time and that means that the unpairing is done.



Switching between color combinations can be also done via switch

